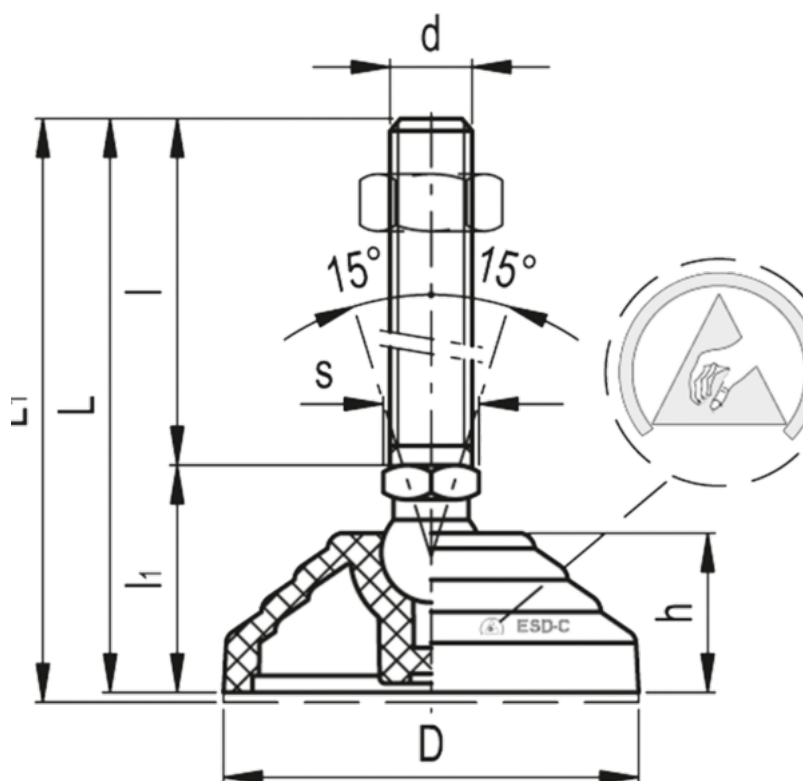


Article number: 2310307121ESD

Description: E+G Antistatic base for levelling elements
LV.A-60-14-AS-M8x43-ESD-C

Measures



| | |
|-------------------|--------------------|
| Articulation = 14 | Max load = 14000 |
| D = 60 | s = 14 |
| d = M8 | Weight in (g) = 81 |
| h = 24 | |
| l = 43 | |
| l1 = 33 | |
| L = 76 | |
| L1 = 79 | |